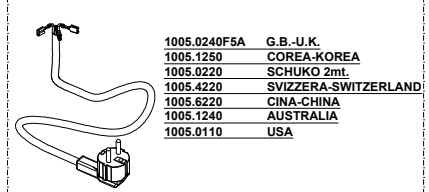
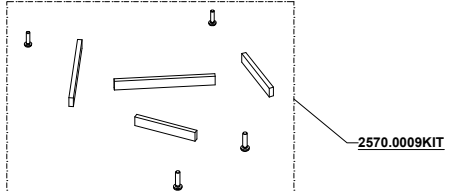
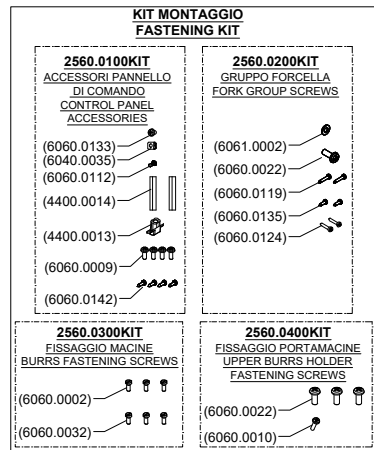
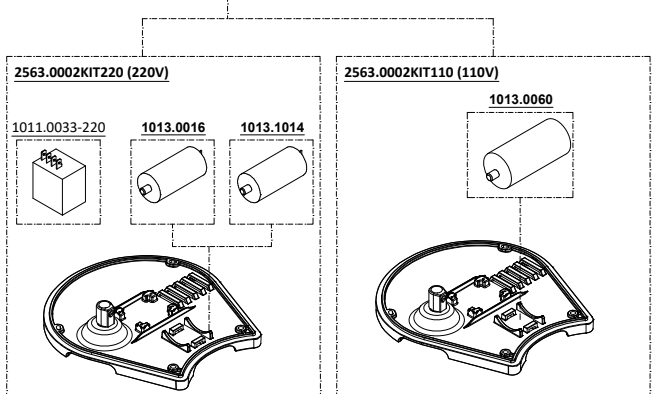
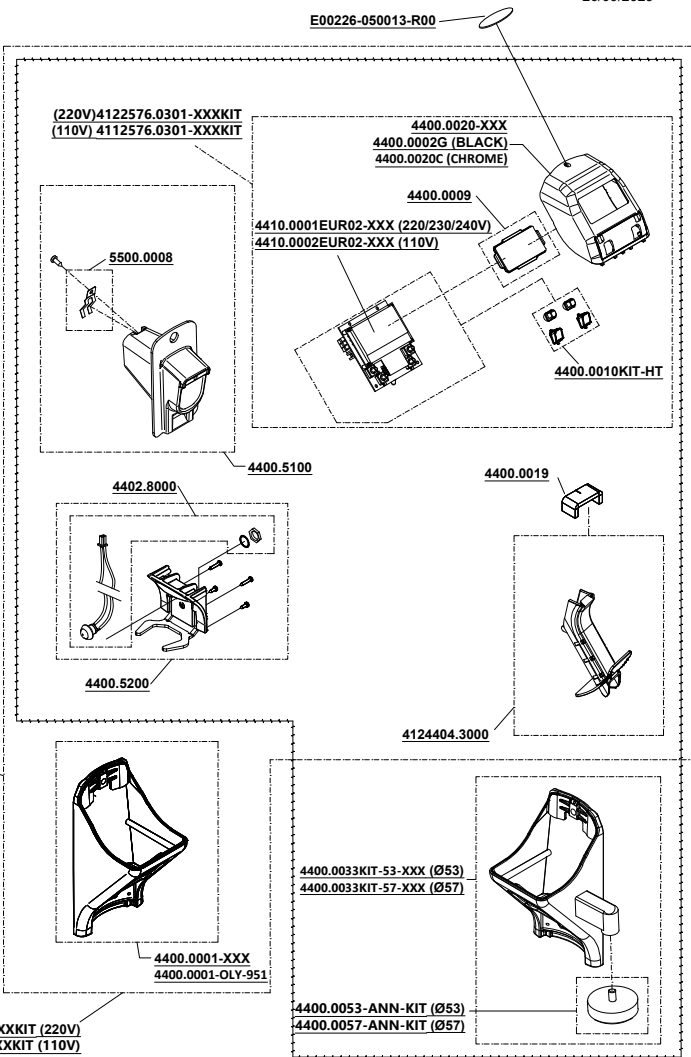
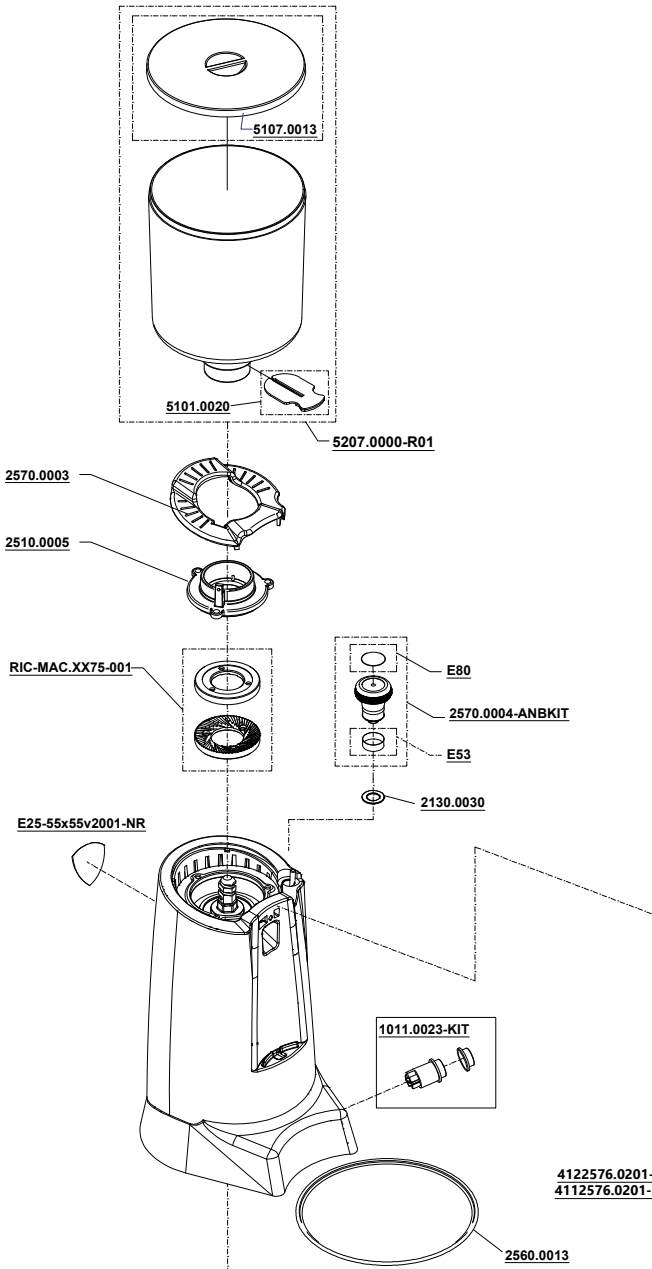


OLYMPUS NEO 75

220V - 60Hz
230/240V - 50Hz
110V - 60Hz



26/09/2023



N.B. : DOVE INDICATO CON "XXX" SI RICHIEDE DI SPECIFICARE IL COLORE
PLEASE NOTE : WHERE "XXX" IS INDICATED YOU HAVE TO SPECIFY THE COLOUR



**YOUR COFFEE
EXPERIENCE**

Listino ricambi/ Spare Parts Price List **OLYMPUS 75 NEO**

ARTICOLO ITEM N°	DESCRIZIONE DESCRIPTION	PREZZO PRICE
1005.0110	CABLAGGIO UL/CSA V110 USA/CANADA PLUG V110	€ 8,10
1005.0220	CABLAGGIO MONOFASE spina schuko SCHUKO PLUG 2 mt V220	€ 7,34
1005.1240	CABLAGGIO VOLT. 240 per Australia AUSTRALIA PLUG V230-240	€ 14,81
1005.1250	CABLAGGIO VOLT. 220 per Korea KOREA PLUG V220	€ 14,81
1005.4220	CABLAGGIO MONOFASE per Svizzera SWITZERLAND PLUG V220-230	€ 8,10
1005.6220	CABLAGGIO MONOFASE per Cina CHINA PLUG V220-230	€ 14,81
1013.0016	CONDENSATORE MF.16 UL CAPACITOR MF. 16 220V	€ 20,12
1013.0060	CONDENSATORE MF.60 UL PER MYTHOS CAPACITOR 60 µF	€ 20,12
1013.1014	CONDENSATORE 14MF 440Vac 50/60Hz CAPACITOR MF. 14 220V	€ 16,07
2130.0030	ANELLO STRISCIAMENTO x POMELLO (ZENITH) KNOB SLIDING RING	€ 2,66
2510.0005	PORTAMACINE SUP. 64mm MDM MNS ZTH AG/05 65 mm UPPER BURR HOLDER	€ 14,81
2560.0013	PIATTINO ACCIAIO/INOX RACCOGLI CAFFE' STAINLESS STEEL COFFEE GROUNDS TRAY	€ 29,48
2570.0003	COPERCHIO PORTAMAC.SUP. ZENITH UPPER BURR HOLDER COVER	€ 4,69
4400.0009	VETRINO DISPLAY CONSOLE COMANDI ON DEM. DISPLAY PROTECTIVE GLASS	€ 4,05
4400.0019	GUARNIZIONE PARASPRUZZO CAFFE' PROTECTIVE SEAL	€ 2,66

Conti Valerio Srl

Via L. Longo 39/41 - 50019 Sesto Fiorentino (FI) - Italia **Tel.** (+39) 055 420 00 11 **Fax** (+39) 055 420 00 10 **web site:** www.eureka.co.it **e-mail:** info@eureka.co.it
Cod. Fisc. e Part. IVA IT 03094860487 **Mecc.** FI 010988 **Cap. Soc.** € 51040,00 i.v. **R.I.** FI 31462 **R.E.A.** FI 301141



**YOUR COFFEE
EXPERIENCE**

Listino ricambi/ Spare Parts Price List **OLYMPUS 75 NEO**

4400.5100	KIT THUNDER ON DEMAND ZTH/OLY/OLY KRE ON-DEMAND THUNDER KIT	€ 6,07
4400.5200	KIT RICAMBIO GR. FORCELLA OLY/ZTH FORK GROUP	€ 55,09
4402.8000	KIT MICRO 1000.0007+CAV73+6062.0018-0007 MICRO SWITCH KIT	€ 33,53
5101.0020	SPORTELLINO CAMPANA NYLON HOPPER CLOSING TAB	€ 1,52
5107.0013	COPERCHIO CAMP.CILIN.ZENITH-MDM-MCD-AMX HOPPER COVER	€ 7,34
5500.0008	FRANGIA ROMPIGETTO EUREKA"RCKT" FLAP KIT	€ 2,66
4124404.3000	GRUPPO SCIVOLO CAFFE' PLASTICA COFFEE EXIT SLIDE GROUP	€ 34,91
1005.0240F5A	CABLAGGIO VOLT. 240 per GB + fus. 5A U.K. PLUG V230-240	€ 14,81
1011.0023-KIT	INTERRUTTORE BLU STABILE x ZTH/OLY NEO POWER SWITCH	€ 8,10
1011.0033-220	DISGIUNTORE STATO SOLIDO 220V CIRCUIT BREAKER 220V	€ 48,49
2560.0100KIT	ACCESSORI PANNELLO DI COMANDO OLY E CONTROL PANEL ACCESSORIES	€ 8,57
2560.0200KIT	KIT VITI ZEN/OLY - VITI GRUPPO DOSATORE DOSER GROUP SCREWS	€ 3,92
2560.0300KIT	KIT VITI ZEN/OLY - FISSAGGIO MACINE BURRS FASTENING SCREWS	€ 2,66
2560.0400KIT	KIT VITI ZEN/OLY - FISSAGGIO PORTAMACINE UPPER BURR HOLDER FASTENING	€ 2,66
2563.0002KIT110	KIT BASE OLYMPUS NEO 110V OLYMPUS NEO BASE KIT 110v	€ 76,65
2563.0002KIT220	KIT BASE OLYMPUS NEO 220V OLYMPUS NEO BASE KIT 220v	€ 114,60

Conti Valerio Srl

Via L. Longo 39/41 - 50019 Sesto Fiorentino (FI) - Italia **Tel.** (+39) 055 420 00 11 **Fax** (+39) 055 420 00 10 **web site:** www.eureka.co.it **e-mail:** info@eureka.co.it
Cod. Fisc. e Part. IVA IT 03094860487 **Mecc.** FI 010988 **Cap. Soc.** € 51040,00 i.v. **R.I.** FI 31462 **R.E.A.** FI 301141



YOUR COFFEE
EXPERIENCE

Listino ricambi/ Spare Parts Price List OLYMPUS 75 NEO

2563.0100KIT	KIT CAVI ALIMENTAZIONE OLY NEO OLY NEO POWER SOURCE CABLES KIT	€ 20,47
2570.0004-ANBKIT	POMELLO ZENITH CLUB - RICAMBIO MICROMETRIC REGULATION KNOB	€ 34,91
2570.0009KIT	KIT PIEDE BASE ZENITH - RICAMBIO BASE FEET KIT	€ 13,41
4112576.0101-001KIT	GR.PANN.COM. ZTH NEO 110V FULL ELEC. DOSER CTRL. PANEL 110v w/53mm DISC TAMPER	€ 296,29
4112576.0102-001KIT	GR.PANN.COM. ZTH NEO 110v ELECTRONIC DOSER CONTROL PANEL 110v w/57mm DISC TAMPER	€ 305,00
4112576.0201-001KIT	GR.PANN.COM. ZTH NEO 110V FULL ELEC. DOSER CTRL. PANEL 110v	€ 259,50
4112576.0301-001KIT	GR.PANN.COM. ZTH NEO 110V DISPLAY UNIT CTRL PANEL 110v	€ 130,70
4122576.0101-001KIT	GR.PANN.COM. ZTH NEO 230V FULL ELEC. DOSER CTRL. PANEL 220v w/53mm DISC TAMPER	€ 296,29
4122576.0102-001KIT	GR.PANN.COM. ZTH NEO 230V ELECTRONIC DOSER CONTROL PANEL 220v w/57mm DISC TAMPER	€ 305,00
4122576.0201-001KIT	GR.PANN.COM. ZTH NEO 230V FULL ELEC. DOSER CTRL. PANEL 220v	€ 259,50
4122576.0301-001KIT	GR.PANN.COM. ZTH NEO 230V DISPLAY UNIT CTRL PANEL 220v	€ 268,18
4400.0001-001	CORPO GR. DOS. ON DEMAND NERO OPACO DOSER BODY	€ 57,68
4400.0001-OLY-951	CORPO GR.DOS ON DEMAND CROMATO x OLY DOSER BODY (CHROME)	€ 67,05
4400.0002G	CONSOLE PL COMANDI ON DEMAND GREZZO CONTROL PANEL BODY (BLACK)	€ 32,13
4400.0010KIT-HT	TASTI PULSANTIERA NON SOFT TOUCH PER 4T CONTROL PANEL KEYPADS	€ 16,07
4400.0020-001	CONSOLE COMANDI ZAMA ON DEMAND NERO OP CONTROL PANEL BODY (COLOUR)	€ 53,64

Conti Valerio Srl

Via L. Longo 39/41 - 50019 Sesto Fiorentino (FI) - Italia Tel. (+39) 055 420 00 11 Fax (+39) 055 420 00 10 web site: www.eureka.co.it e-mail: info@eureka.co.it
Cod. Fisc. e Part. IVA IT 03094860487 Mecc. FI 010988 Cap. Soc. € 51040,00 i.v. R.I. FI 31462 R.E.A. FI 301141



**YOUR COFFEE
EXPERIENCE**

Listino ricambi/ Spare Parts Price List **OLYMPUS 75 NEO**

4400.0020C	CONSOLE COMANDI ZAMA ON DEMAND CROMO CONTROL PANEL BODY (CHROME)	€ 80,45
4400.0033KIT-53-001	KIT BASAMENTO GRUPPO DOS. ZTH/OLY NEO ZT DOSER BODY w/53mm TAMPER DISC	€ 94,47
4400.0033KIT-57-001	KIT BASAMENTO GRUPPO DOS. ZTH/OLY NEO ZT DOSER BODY w/57mm TAMPER DISC	€ 103,18
4400.0053-ANN-KIT	KIT PRESSINO + TAMPER 53 PIATTO AN.NERO 53 mm DIAM. TAMPER DISC	€ 13,41
4400.0057-ANN-KIT	KIT PRESSINO + TAMPER 57 PIATTO AN.NERO 57 mm DIAM. TAMPER DISC	€ 19,88
4410.0001EUR02-XXX	SK DPY 230V 4 PUL OD LOGO EUREKA 9.7 PRINTED CIRCUIT BOARD 4 BUTTONS 230V	€ 84,50
4410.0002EUR02-XXX	SK DPY 110V 4 PUL OD LOGO EUREKA 9.7 PRINTED CIRCUIT BOARD 4 BUTTONS 110V	€ 84,50
5207.0000-R01	CAMPANA COMPL CILIND ZTH-MDM-MCD-AMX R01 BEAN HOPPER 1.4 Kg	€ 29,48
E00226-050013-R00	ETICHETTA COPRIVITE RES. OLY NEO 75 OLYMPUS NEO LOGO STICKER	€ 6,71
E25-55x55v2001-NR	ET EUREKA LOGO NUOVO SCUDETTO 55x55 N.R. EUREKA BODY LABEL 55x55 mm	€ 3,42
E53	ETICH GRADUATA POMELLO REGOLAZ. DOSE OLY MICROMETRIC ADJUSTMENT KNOB LABEL	€ 2,66
E80	ETICHETTA POMELLO x MYTHOS ONE/KLIM -MDJ KNOB LABEL	€ 2,66
RIC-MAC.XX75-001	RIC. MACINE_D75 BURRS SET 75mm	€ 42,90

Conti Valerio Srl

Via L. Longo 39/41 - 50019 Sesto Fiorentino (FI) - Italia **Tel.** (+39) 055 420 00 11 **Fax** (+39) 055 420 00 10 **web site:** www.eureka.co.it **e-mail:** info@eureka.co.it
Cod. Fisc. e Part. IVA IT 03094860487 **Mecc.** FI 010988 **Cap. Soc.** € 51040,00 i.v. **R.I.** FI 31462 **R.E.A.** FI 301141



**YOUR COFFEE
EXPERIENCE**

Listino ricambi/ *Spare Parts Price List* OLYMPUS 75 NEO

- Gli articoli evidenziati sono i ricambi delle parti soggette a maggiore usura, e quindi il loro approvvigionamento è particolarmente consigliato
 - Tutti i prezzi si intendono IVA esclusa
 - La merce viene venduta franco fabbrica a Sesto Fiorentino (FI) e viaggia a rischio del committente.
- The items highlighted are the spare parts of the pieces subject to greater wear, and therefore their supply is particularly recommended
 - All prices are intended VAT excluded
 - Goods are sold ex works from Sesto Fiorentino (FI), Italy and travel at the risk of the Customer

Conti Valerio Srl

Via L. Longo 39/41 - 50019 Sesto Fiorentino (FI) - Italia **Tel.** (+39) 055 420 00 11 **Fax** (+39) 055 420 00 10 **web site:** www.eureka.co.it **e-mail:** info@eureka.co.it
Cod. Fisc. e Part. IVA IT 03094860487 **Mecc.** FI 010988 **Cap. Soc.** € 51040,00 i.v. **R.I.** FI 31462 **R.E.A.** FI 301141